



OPTRA
SOFT FIBRE CEILING SOLUTIONS

Inspiring Great Spaces™

Armstrong[®]
CEILING SOLUTIONS



BENEFITS

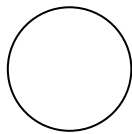
- High Sound Absorption 0.90 NRC
- High light reflection \cong 85%
- Appealing smooth surface
- Available in large variety of sizes, colors, patterns & edge details

APPLICATION AREAS

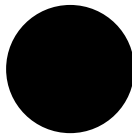
- Open plan offices
- Call Centres (IT/ITRS)
- Large conference Rooms
- Education
- Theatres / auditoriums



COLOR SELECTION



White
(Standard)



Black
(Standard)



RAL co-ordinated[#]

*Due to printing limitations, shades colours may vary from actual product.

[#]Minimum order quantity (MOQ) is 500m² for RAL shades. RAL shades may be used for color co-ordination purpose only.

PRODUCT SELECTION



Noise Reduction Coefficient (NRC)



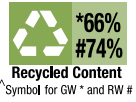
Light Reflectance (LR)



Humidity Resistance (RH95)



Warranty with Armstrong Steel Angle*



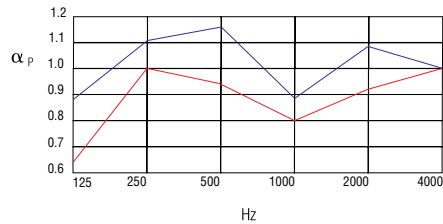
*66% Recycled Content #74%
^Symbol for GW* and RW #

OPTRA RH95	BOARD	TEGULAR	BEVELLED TEGULAR	SL2/K2C2	VECTOR (E)
	Prelude 24mm	Prelude 24mm	Suprafine 15mm/ Silhouette	XL 24mm	XL 24mm
Optra FG Classic, Pebble and Pearl					
600 x 600 x 15 mm	✓	✓	✓		
600 x 1200 x 15 mm	✓	✓	✓		
600 x 600 x 20 mm	✓	✓	✓	✓	✓
600 x 1200 x 20 mm	✓	✓	✓	✓	✓
600 x 1800 x 20 mm	✓			✓	✓
600 x 1200 x 25 mm	✓			✓	
600 x 1800 x 25 mm	✓			✓	
1200 x 1200 x 25 mm	✓			✓	
Optra FG Classic Black					
600 x 600 x 20 mm	✓	✓	✓	✓	
600 x 1200 x 20 mm	✓	✓	✓	✓	
600 x 1800 x 20 mm	✓			✓	
600 x 1200 x 25 mm	✓			✓	
600 x 1800 x 25 mm	✓			✓	
1200 x 1200 x 25 mm	✓			✓	



EN 20354 & EN 11654

α_w	NRC	Hz						
		125	250	500	1000	2000	4000	
0.90	0.90	0.64	1.00	0.96	0.80	0.92	1.00	
1.0	1.0	0.88	1.12	1.16	0.88	1.08	1.00	



≈85%



95% RH



UK Class 0/Class 1 (BS 476 Pt - 6,&7)

China CH Class A



15 mm: 1.8 kgs/m²
20 mm: 2.3 kgs/m²
25 mm: 2.8 kgs/m²

* Warranty offered only when ceiling tiles installed with Armstrong steel angles and installation is carried out as per Armstrong recommendations. For more details please refer the Armstrong India website.

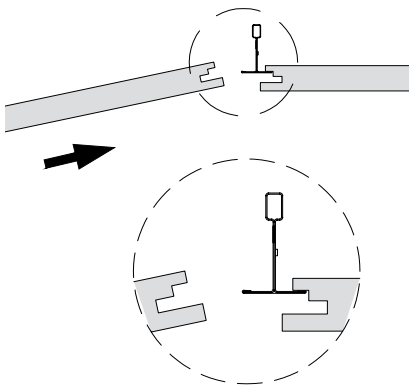
OPTRA BLACK

Optra is also available in black, the perfect choice for Theatres and Auditoriums. The reduced 'Reverberation Time' allows a speaker talking at normal volume to be understood without difficulty and stress, making for good speech intelligibility. The black skin adds excellent light absorption qualities over the benefits of high acoustical performance

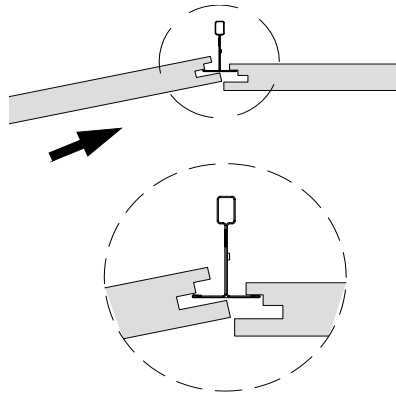
Optra Black comes with its set of matching black grids offering a complete system.



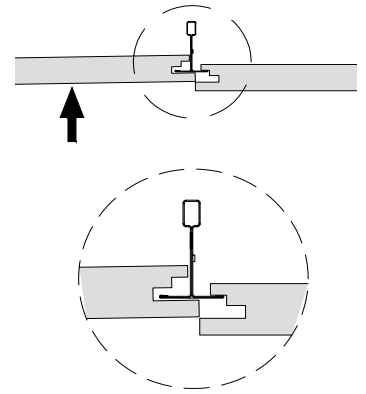
INSTALLATION INSTRUCTIONS FOR OPTRA VECTOR (E)



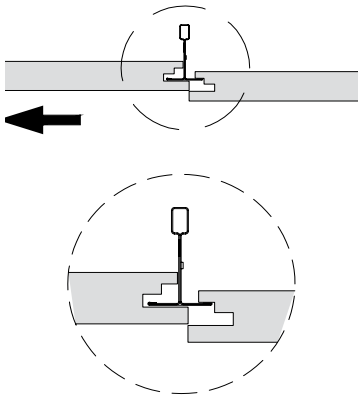
Step No. 1



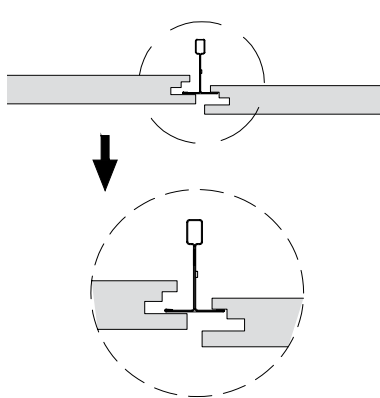
Step No. 2



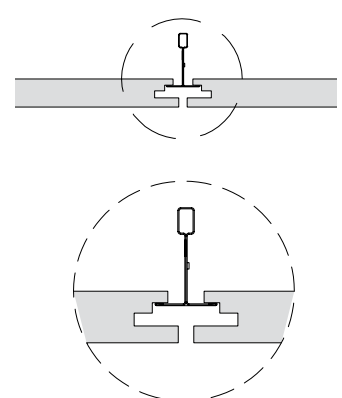
Step No. 3



Step No. 4



Step No. 5



Step No. 6

CONTACT US

Armstrong World Industries (India) Pvt. Ltd.

Boomerang, A-304, Chandivali Farm Road (near Chandivali Studio) Andheri (E), Mumbai - 400 072

Contact us: 1800 3000 7080 | e-mail : helpdeskindia@armstrongceilings.com | www.armstrongceilings.in



Inspiring Great Spaces™

Armstrong®
CEILING SOLUTIONS